

Hurricane-QM57

EPIC Processor Board

Intel® Core™ i7 Processor



Features

Intel Core i7 Processor, 2.53 GHz max.

8 GB DDR3 ECC RAM maximum. Supports rugged RSOMMs.

2 DisplayPorts, LVDS (dual channel)

2 x Gigabit LAN

10 x USB 2.0 host ports, 2 with extended power capability

4 x SATA with RAID support

Specifications

Board Format EPIC Express, 115.00 x 165.00 mm

Processor Intel Core i7 processor
i7 – 620UE, 1.06 GHz, Dual Core
i7 – 610E, 2.53 GHz, Dual Core

Chipset Mobile Intel QM57 Express

RAM 8 GB DDR3 ECC RAM maximum
- 2 GB soldered, prepared for 4 GB
- 2 GB (prepared for 4 GB)
XR-DIMM™ module optional

RAM Clock DDR3 — 1066

Graphics Intel HD Graphics. 2560 x 1920 pixels

DisplayPort 2 standard connectors

LVDS Dual channel, up to 1600 x 1200 px
- 18 bit
- 24 bit

USB 6xUSB 2.0 host, external access
with 2x “power USB”, 1 A max.
4xUSB 2.0 host, internal only

Ethernet 2 x Gigabit LAN
- Integrated in chipset, with 82577 PHY
- Intel 82574

SATA 4 ports. Support for RAID 0, 1, 5, 10

Audio - Optical SPDIF
- Analog 7.1 (Azalia)

Watchdog Yes (LEMT)

Status LED HDD, power, power mode,
SMC activity, 4x Ethernet, watchdog

MiniCard Standard PCI Express MiniCard slot

PCI Express Bus PCI/104-Express connector with
- 4 x1 lanes (PCIe 1.0a)
- 1 x16 lane, configurable as 2 x8 lanes
(2.5Gbit/s, PCIe 2.0 compliant)

PCI Bus PC/104-Plus

LPC Bus Yes

SPI Bus Yes

SMB Bus Yes

RTC Backup Integrated battery

Power Supply ATX 1.3 compatible

Power Consumption 25 – 45 watts,
depending on processor type

Cooling Passive cooling possible
Heatspreader available

MTBF 128 820 hours at 25 °C

Shock & Vibration VITA 47-2005
V3 & OS tests approved

Operating temperature 0°C...+60°C (commercial, all versions)
-20°C...+60°C (industrial, all versions)
-40°C...+85°C (extended, optional)

BIOS Phoenix BIOS
BIOS parameters are saved in Flash

LEMT Yes, Condition Monitoring

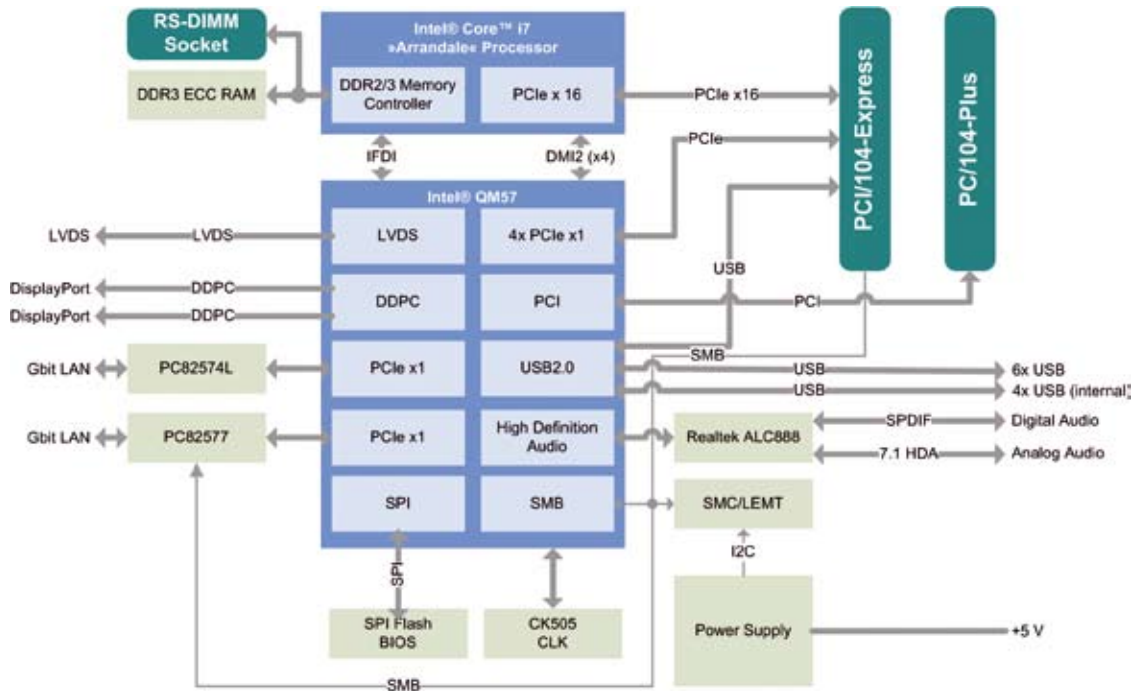
Supported OS Windows, Linux

Hurricane-QM57

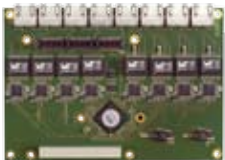
EPIC Processor Board

Intel® Core™ i7 Processor

Block Diagram



Accessoires



EXP-ETH8:
Eight 10/100/1000 Mb/s Ethernet ports in EPIC Express format



EXP-ISO-COM8:
Eight independent and flexibly configurable serial ports for RS232 / RS422 / RS485



Hurricane-QM57 with heat spreader, EXP-ETH8, and EXP-ISO-COM8

Ordering Information

Ordering Number	Description
t14-0006-10	EPIC CPU board with Intel Core i7-620UE, 1.06 GHz, dual core, 2 GB RAM, with heat spreader
t14-0007-10	EPIC CPU board with Intel Core i7-610E, 2.53 GHz, dual core, 2 GB RAM, with heat spreader
t14-0004-10	EPIC Express board with 8 Gigabit Ethernet ports
t14-0002-10	EPIC board with 8 galvanically isolated serial ports
t60-0027-10	RAM, unbuffered ECC, RSOMM, REVERSE, 2GB

Note: t denotes the temperature range. Use 7 for commercial, 8 for industrial and 9 for extended temperature range. Other processor and memory configurations are available on request.

LIPPERT ADLINK TECHNOLOGY
Hans-Thoma-Str. 11 · D-68163 Mannheim
Phone +49 621 43214-0 · Fax +49 621 43214-30
sales@lippertembedded.com
www.lippertembedded.com

Ampro ADLINK Technology, Inc.
5215 Hellyer-Avenue, #110
San Jose, CA 95138, U.S.A.
Toll Free (800) 966 5200 · Fax (408) 360 0222
info@adlinktech.com

LIPPERT™
BY ADLINK